

MEC0124



Manual 1/16th direct roll-up ventilation gear for 25x25x2 tube and Ø26mm handle

Supplementary products

- Handle: MEC0203
- Screwer kit: MEC0132

Description

Non reversible transmission under load

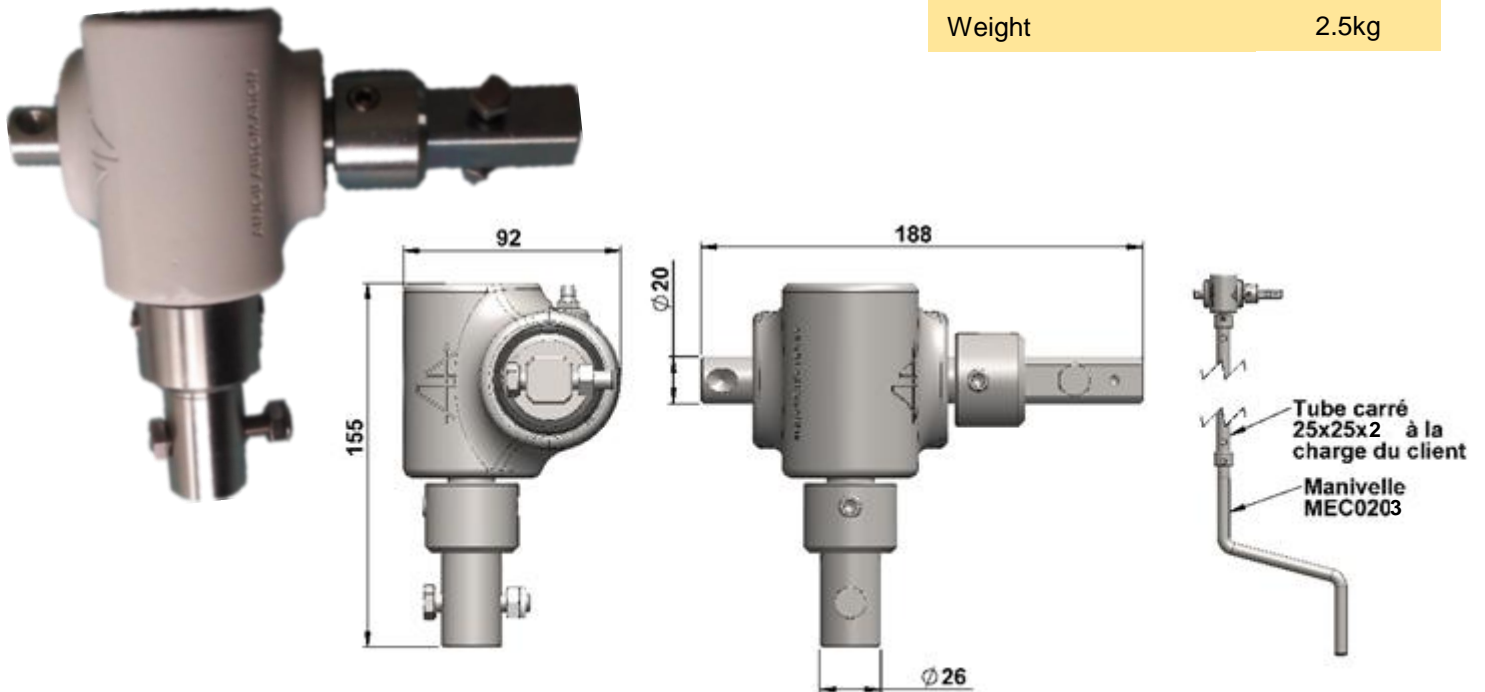
Sealed assembly on bearings in a white powder-coated aluminium casing with top-up greaser

Stainless steel drive shaft

Manual operation with square 25x25x2 tube (to be provided by the customer) and MEC0203 handle

Specifications

Gear	1/16 th
Operation	Manual
Ø60 tube max. double rolling length	65m
Ø32 tube max. rolling length	90m
Input torque	15Nm
Output torque	70Nm
Weight	2.5kg



880 rue Léo Baekeland
85290 Mortagne sur Sèvre- France
+33 (0)2 02 51 63 02
contact@anjouautomation.fr