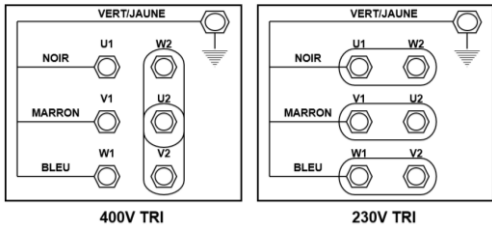
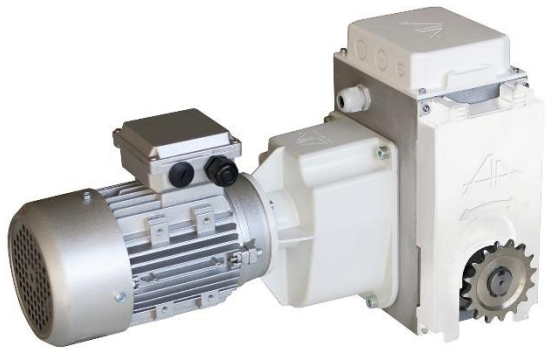


MEC1407-34



Opening/shading motorisation + Ø34 chain couplings



Raccordement de la plaque à bornes



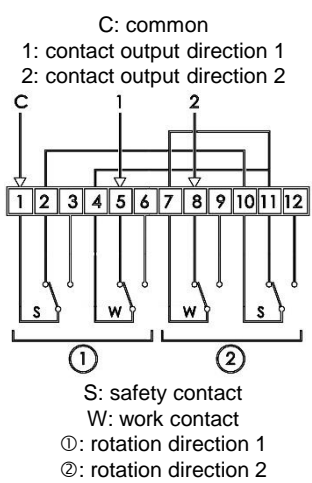
Ø34 tubular chain coupling: MEC1101

Description

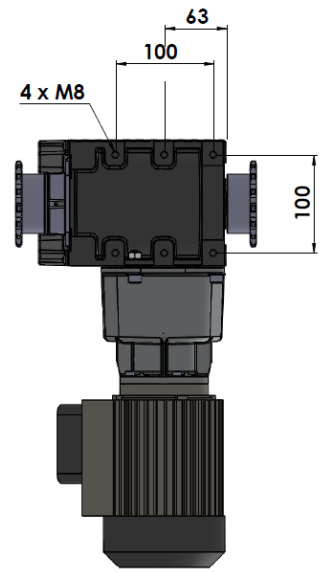
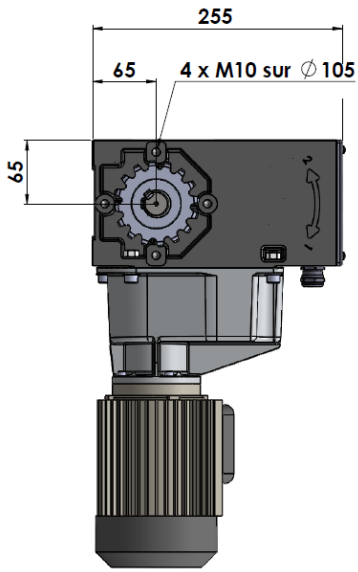
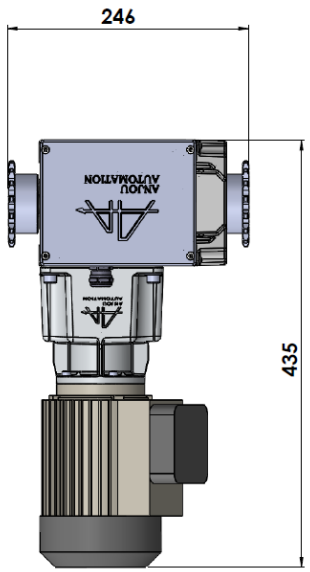
- Sealed construction in aluminium casing
- Non reversible under load
- Manual operation on electric motor
- Tool-free leak tight adjustable limit switch
- Adjustable 33 rotation limit switch stroke
- Location reserved for addition of the MISSI line
- Two possible fixtures: side and back

Specifications

Torque	160Nm	
Coupling	Ø34 tubular chain	
Rotation speed	5.0rpm	
Motor power	0.25kW	
Three-phased	50Hz – 230/400V	1.3A
	60Hz – 280/460V	0.8A
Weight	26kg	



Limit switch wiring diagram



880 rue Léo Baekeland
85290 Mortagne sur Sèvre- France
+33 (0)2 02 51 63 02
contact@anjouautomation.fr

