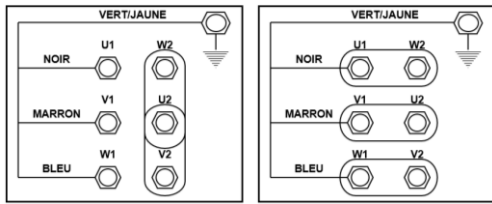
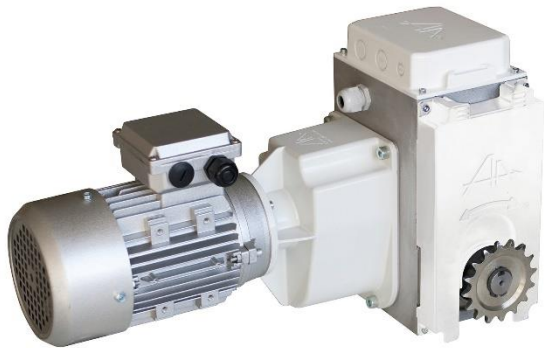


MEC1405-32



Opening/shading motorisation + Ø32 chain couplings

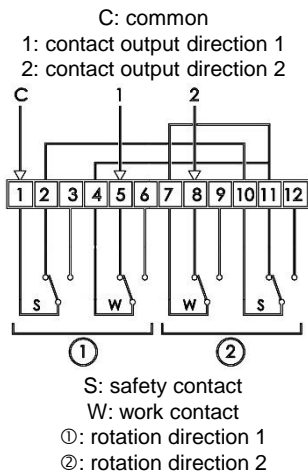


Raccordement de la plaque à bornes

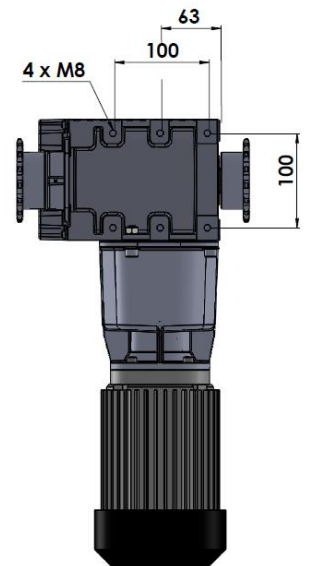
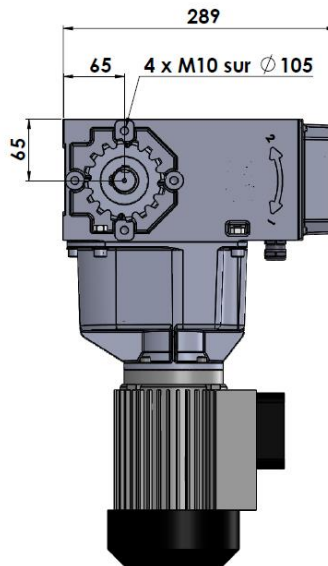
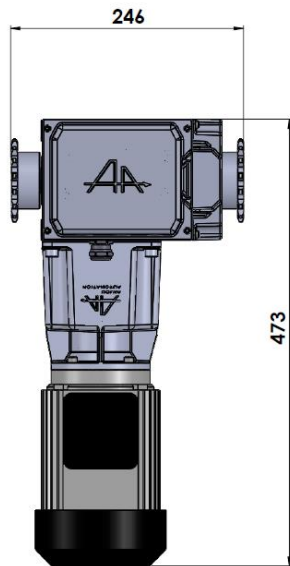
Ø32 tubular chain coupling: MEC1100

| Description | |
|--------------------------------------------------|--|
| Sealed construction in aluminium casing | |
| Non reversible load | |
| Manual operation on electric motor | |
| Tool-free leak tight adjustable limit switch | |
| Adjustable 33 rotation limit switch stroke | |
| Location reserved for addition of the MISSI line | |
| Two possible fixtures: side and back | |

| Specifications | | |
|----------------|-------------------|------|
| Torque | 550Nm | |
| Coupling | Ø32 tubular chain | |
| Rotation speed | 2.8rpm | |
| Motor power | 0.55kW | |
| Three-phased | 50Hz – 230/400V | 2.6A |
| | 60Hz – 280/460V | 1.5A |
| Weight | 26kg | |



Limit switch wiring diagram



880 rue Léo Baekeland
 85290 Mortagne sur Sèvre- France
 +33 (0)2 02 51 63 02
 contact@anjouautomation.fr