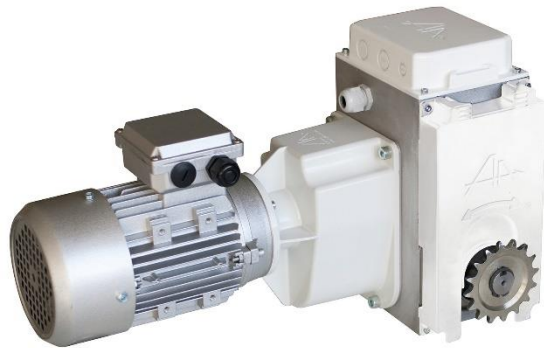


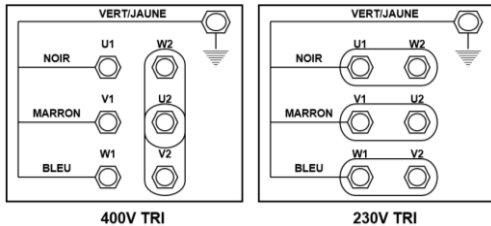
# MEC1403-34



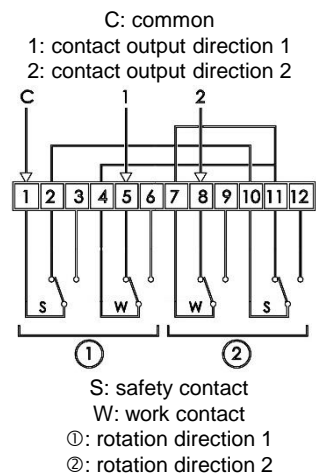
## Opening/shading motorisation + Ø34 chain couplings



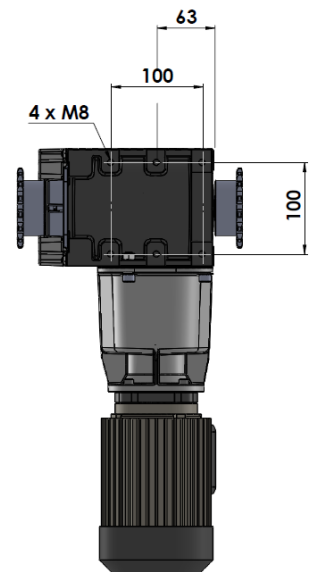
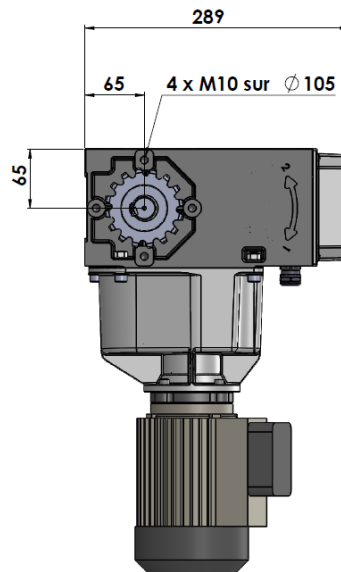
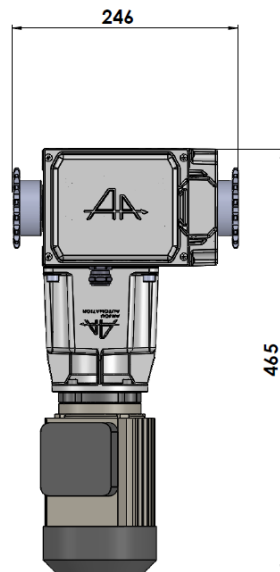
Ø34 tubular chain coupling: MEC1101



Raccordement de la plaque à bornes



Limit switch wiring diagram



### Description

Sealed construction in aluminium casing

Non reversible load

Manual operation on electric motor

Tool-free leak tight adjustable limit switch

Adjustable 33 rotation limit switch stroke

Location reserved for addition of the MISSI line

Two possible fixtures: side and back

### Specifications

Torque 250Nm

Coupling Ø34 tubular chain

Rotation speed 2.8rpm

Motor power 0.25kW

Three-phased 50Hz – 230/400V 1.3A  
60Hz – 280/460V 0.8A

Weight 26kg