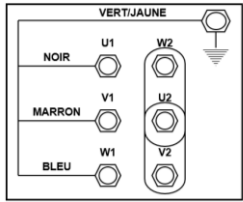
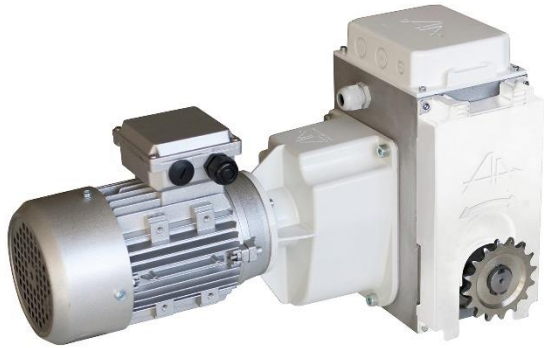


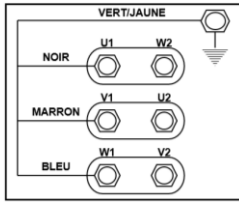
MEC1401-34



Opening/shading motorisation + Ø34 chain couplings



400V TRI

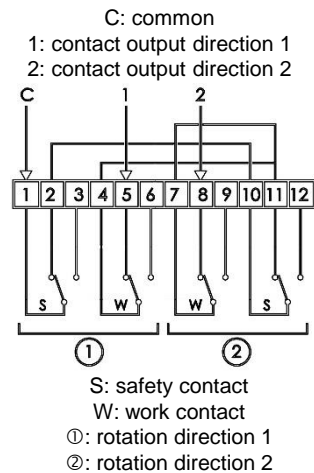


230V TRI

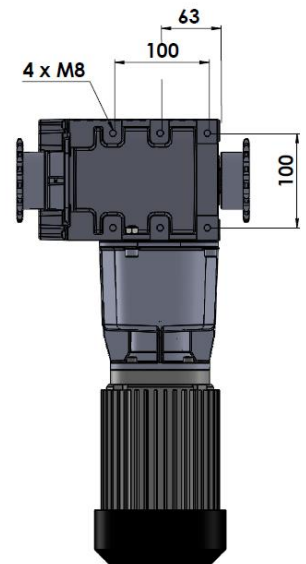
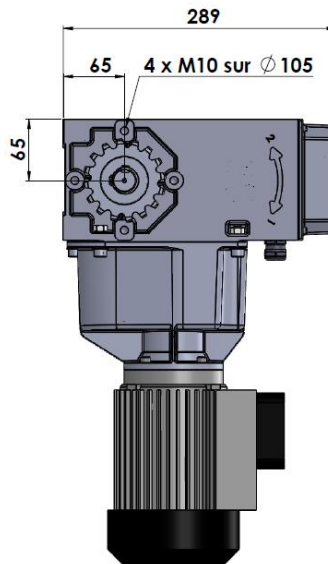
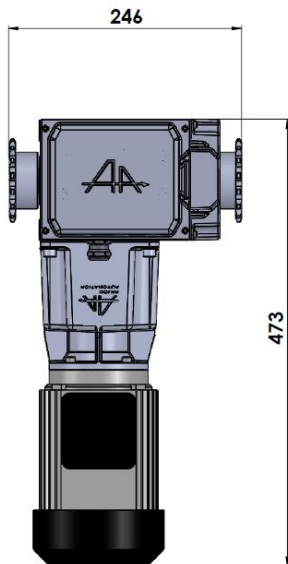
Raccordement de la plaque à bornes



Ø34 tubular chain coupling: MEC1101



Limit switch wiring diagram



Description

Sealed construction in aluminium casing

Non reversible load

Manual operation on electric motor

Tool-free leak tight adjustable limit switch

Adjustable 33 rotation limit switch stroke

Location reserved for addition of the MISSI line

Two possible fixtures: side and back

Specifications

Torque 400Nm

Coupling Ø34 tubular chain

Rotation speed 1.8rpm

Motor power 0.25kW

Three-phased 50Hz – 230/400V 1.6A
60Hz – 280/460V 0.9A

Weight 26kg