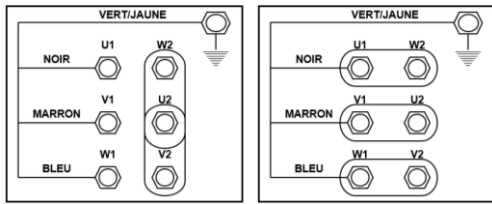
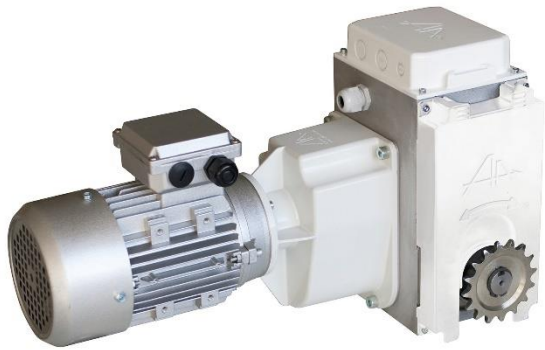


# MEC1401-32



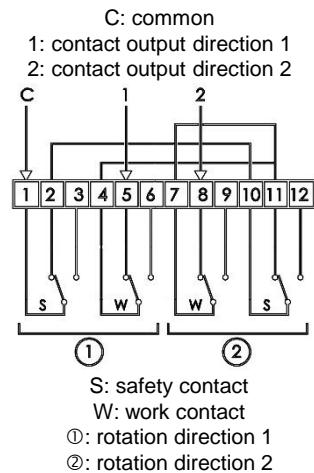
## Opening/shading motorisation + Ø32 chain couplings



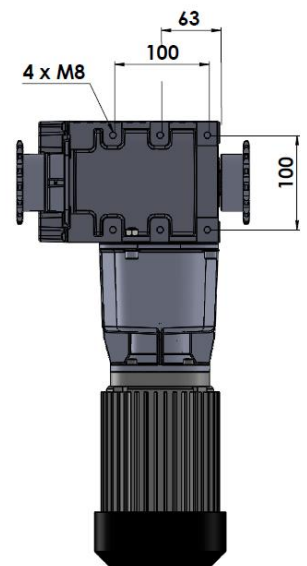
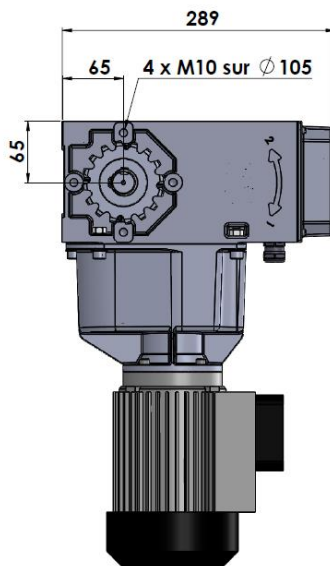
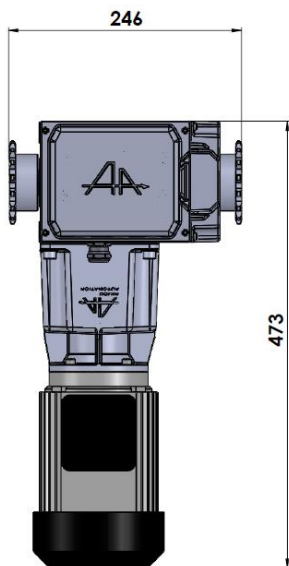
Raccordement de la plaque à bornes



Ø32 tubular chain coupling: MEC1100



Limit switch wiring diagram



### Description

Sealed construction in aluminium casing

Non reversible load

Manual operation on electric motor

Tool-free leak tight adjustable limit switch

Adjustable 33 rotation limit switch stroke

Location reserved for addition of the MISSI line

Two possible fixtures: side and back

### Specifications

Torque	400Nm	
Coupling	Ø32 tubular chain	
Rotation speed	1.8rpm	
Motor power	0.25kW	
Three-phased	50Hz – 230/400V	1.6A
	60Hz – 280/460V	0.9A
Weight	26kg	