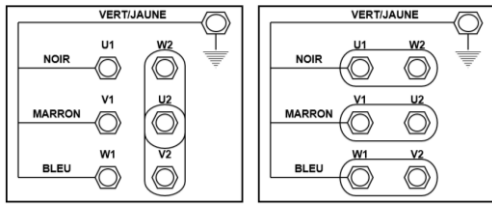
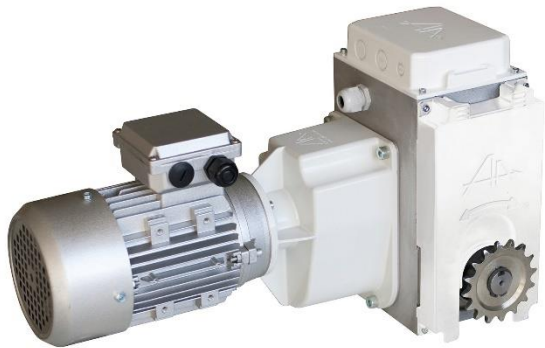


# MEC1400-34



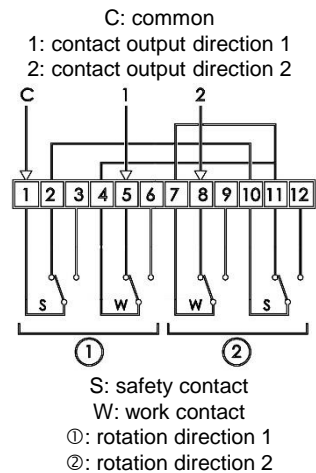
## Opening/shading motorisation + Ø34 chain couplings



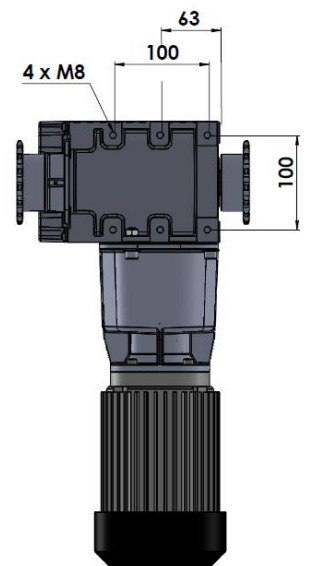
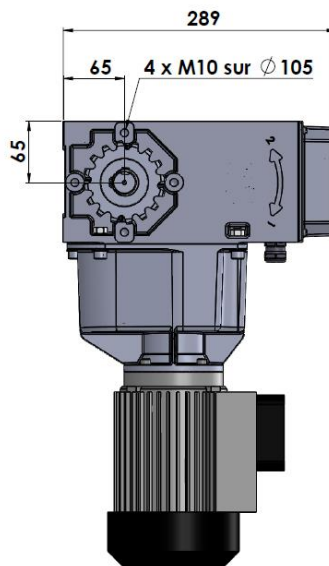
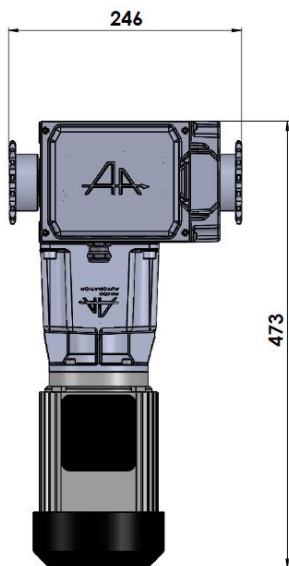
400V TRI  
Raccordement de la plaque à bornes



Ø34 tubular chain coupling:  
MEC1101



Limit switch wiring diagram



### Description

Sealed construction in aluminium casing

Non reversible load

Manual operation on electric motor

Tool-free leak tight adjustable limit switch

Adjustable 33 rotation limit switch stroke

Location reserved for addition of the MISSI line

Two possible fixtures: side and back

### Specifications

|                |                            |      |
|----------------|----------------------------|------|
| Torque         | 400Nm                      |      |
| Coupling       | Ø34 tubular chain coupling |      |
| Rotation speed | 2.8rpm                     |      |
| Motor power    | 0.37kW                     |      |
| Three-phased   | 50Hz – 230/400V            | 1.9A |
|                | 60Hz – 280/460V            | 1.1A |
| Weight         | 26kg                       |      |

880 rue Léo Baekeland  
85290 Mortagne sur Sèvre- France  
+33 (0)2 02 51 63 02  
contact@anjouautomation.fr