

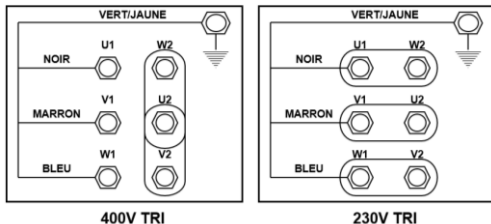
MEC1210



5 rpm cart mounted motorisation



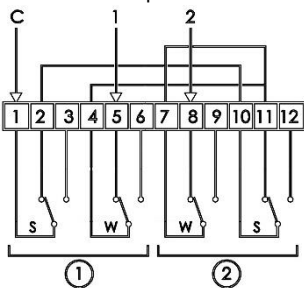
Description	Specifications	
Sealed construction in aluminium casing	Torque	160Nm
Non reversible under load	Rotation speed	5.0rpm
Manual operation on electric motor	Motor power	0.25kW
Tool-free leak tight adjustable limit switch	Power supply:	
Adjustable 50 rotation limit switch stroke	3~ 50Hz 230V / 3~ 60Hz 280V	1.6A
ABS external casing	3~ 50Hz 400V / 3~ 60Hz 460V	0.9A
Stainless steel output shaft	Max. length Ø60mm	120m (aluminium)
Silent running	Max. length for Ø60mm double rolling	80m
	Max. length Ø32mm	150m
	Weight	28 kg
	Cart tube cross section	Ø45 and/or Ø60



Raccordement de la plaque à bornes

C: common

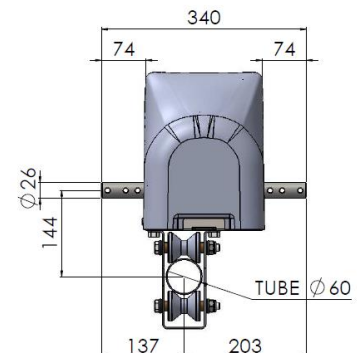
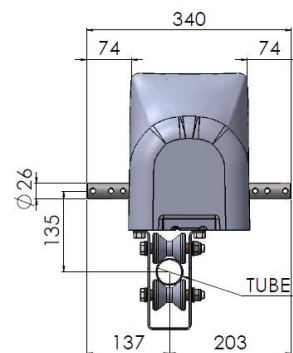
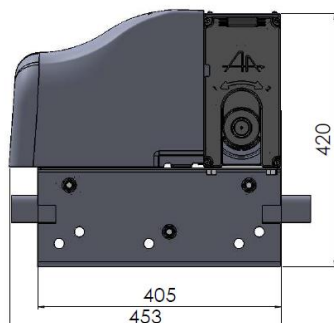
- 1: contact output direction 1
- 2: contact output direction 2



S: safety contact
W: work contact

- ①: rotation direction 1
- ②: rotation direction 2

Limit switch wiring diagram



880 rue Léo Baekeland
85290 Mortagne sur Sèvre- France
+33 (0)2 02 51 63 02
contact@anjouautomation.fr