

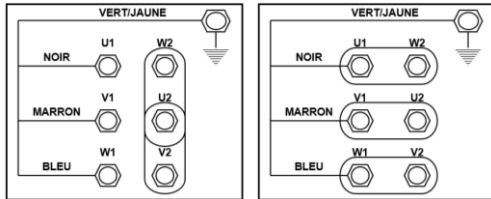
# MEC1205



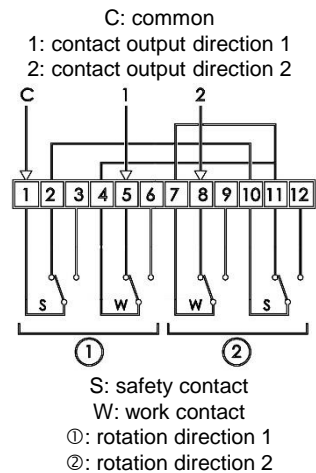
## 5 rpm motorisation for roll-up ventilation



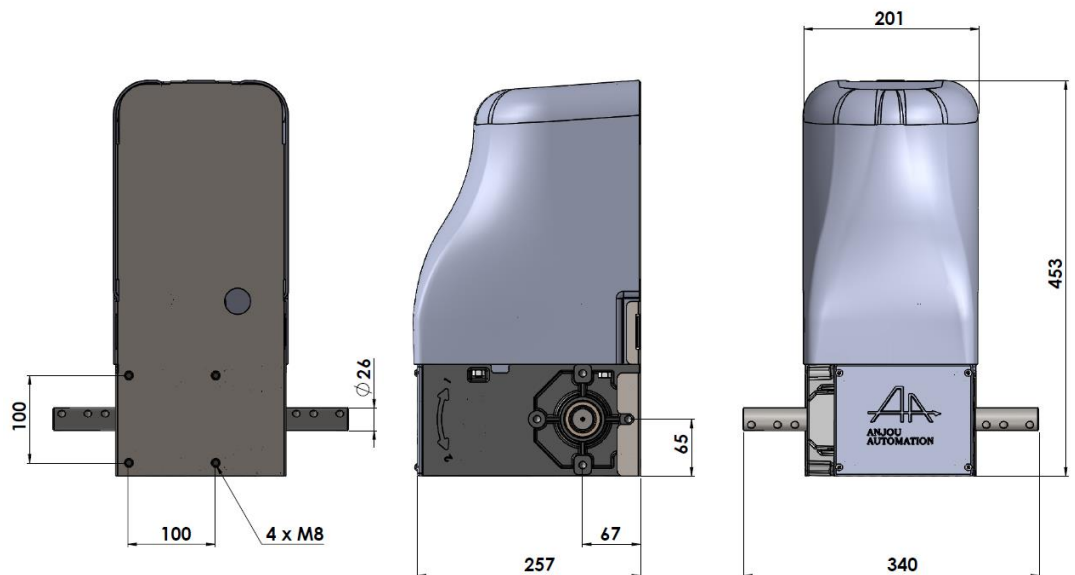
Description		Specifications	
Sealed construction in aluminium casing		Torque	400Nm
Non reversible under load		Rotation speed	5.0rpm
Manual operation on electric motor		Motor power	0.25kW
Tool-free leak tight adjustable limit switch		Power supply:	
Adjustable 50 rotation limit switch stroke		3~ 50Hz 230V / 3~ 60Hz 280V	1.3A
ABS external casing		3~ 50Hz 400V / 3~ 60Hz 460V	0.8A
Stainless steel output shaft		Max. length Ø60mm	170m
Silent running		Max. length for Ø60mm double rolling	80m
		Max. length Ø32mm	280m
		Weight	23kg



Raccordement de la plaque à bornes



Limit switch wiring diagram



880 rue Léo Baekeland  
 85290 Mortagne sur Sèvre- France  
 +33 (0)2 02 51 63 02  
[contact@anjouautomation.fr](mailto:contact@anjouautomation.fr)