

MEC0152



Manual gear for strip separation ventilation

Supplementary products

- Handle: MEC0203
- Crankshaft: MEC0201
- Ring: MEC0200

Description

Non reversible transmission under load

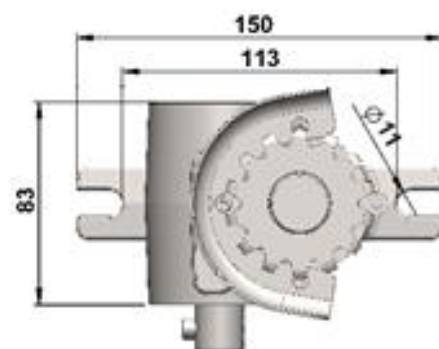
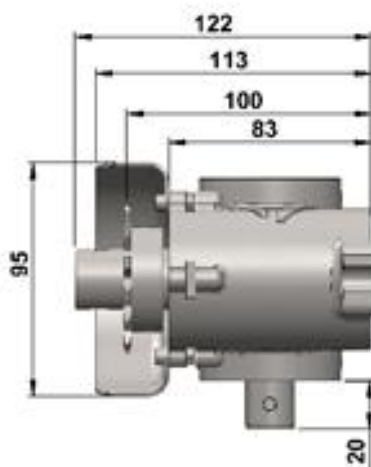
Sealed motor on bearings in white powder coated aluminium casing

Stainless steel drive shaft

Corrosion treated steel pinion and chain guide

Specifications

Gear	1/23 rd
Operation	Handle
Max. ventilation length	15Nm
Input torque	15Nm
Output torque	130Nm
Weight	2.1kg
Number of spacing points	25



880 rue Léo Baekeland
85290 Mortagne sur Sèvre- France
+33 (0)2 02 51 63 02
contact@anjouautomation.fr