

MEC0140



Manual 1/4 direct roll-up ventilation gear

Supplementary products

- Hook handle: MEC021X
- Ring: MEC0200
- Crankshaft: MEC0201

Description

Non reversible transmission under load

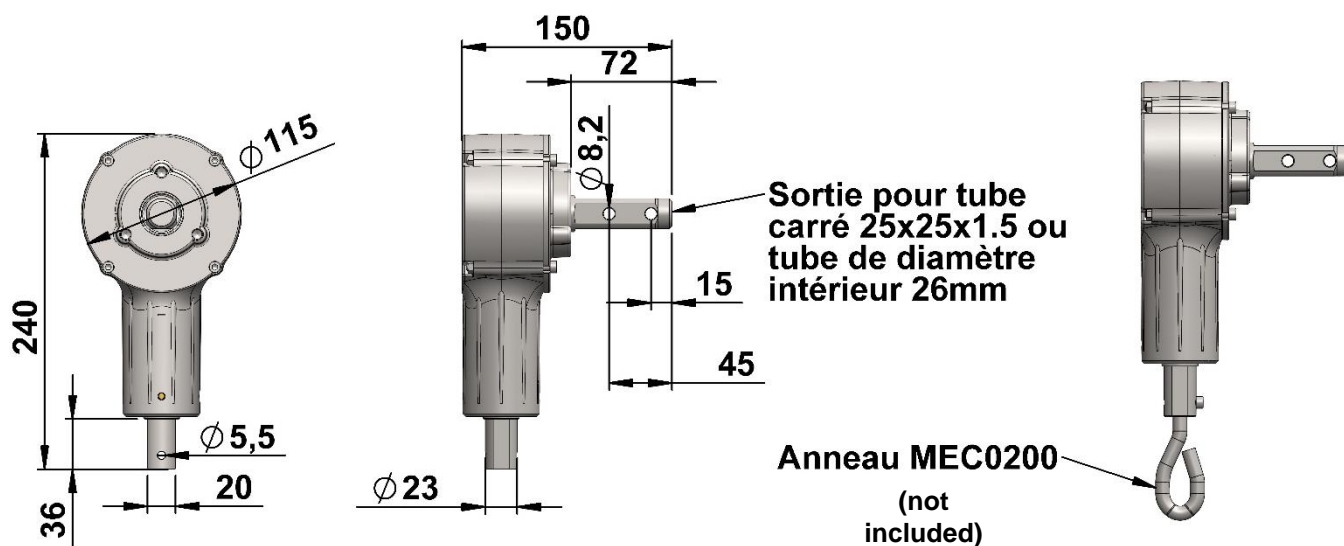
Sealed assembly on bearings in a white powder-coated aluminium casing with top-up greaser

Manual operation using a MEC0200 ring drive and hook handle to be provided by the customer

Output for square 25x25x1.5 tube or round interior diameter 26mm tube

Specifications

Gear	1/4 th
Operation	Manual
Ø60 (aluminium tube) max. single rolling length	75m
Ø32 or Ø34 max. single rolling length	75m
Input torque	12Nm
Output torque	42Nm
Weight	6.5kg



880 rue Léo Baekeland
85290 Mortagne sur Sèvre- France
+33 (0)2 02 51 63 02
contact@anjouautomation.fr