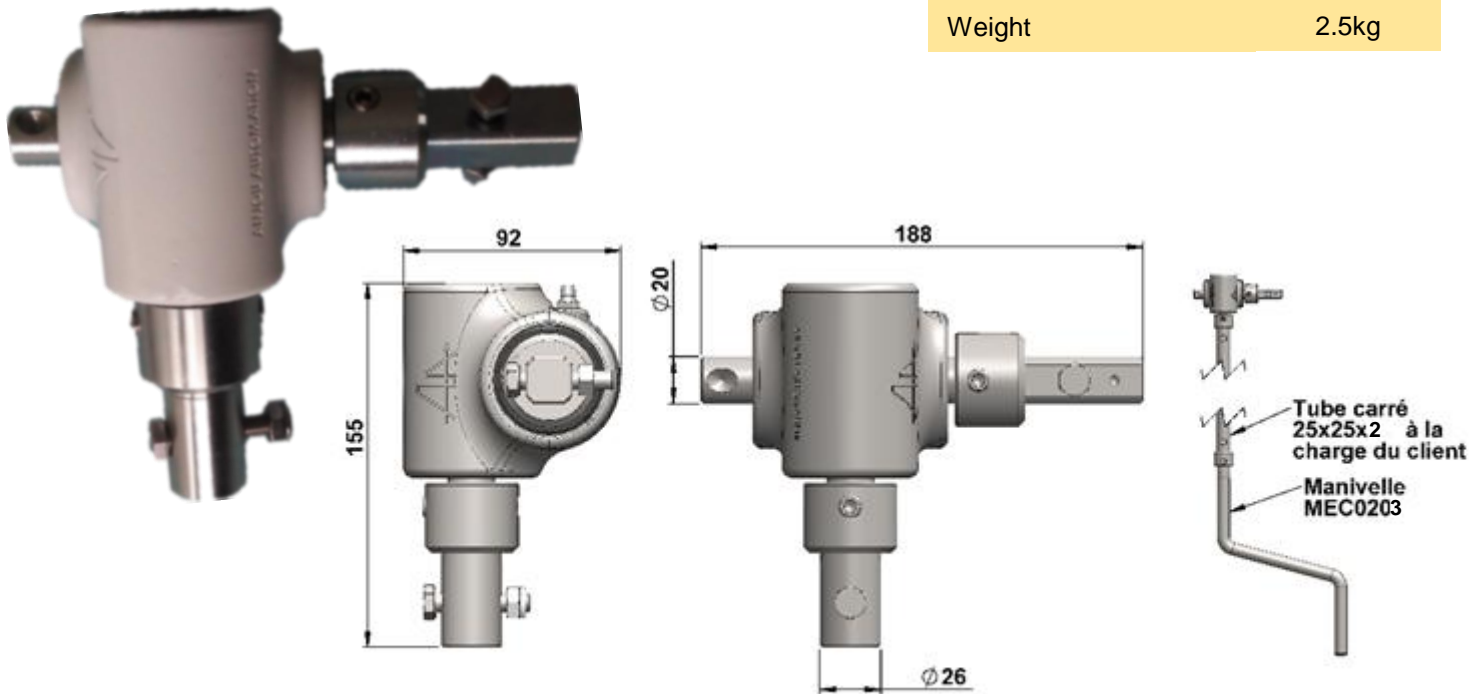


MEC0123



Manual 1/8th direct roll-up ventilation gear for 25x25x2 tube and Ø26mm handle

Supplementary products	Description	Specifications	
<ul style="list-style-type: none"> Handle: MEC0203 	<p>Non reversible transmission under load</p> <p>Sealed assembly on bearings in a white powder-coated aluminium casing with top-up greaser</p> <p>Stainless steel drive shaft</p> <p>Manual operation with square 25x25x2 tube (to be provided by the customer) and MEC0203 handle</p>	<p>Gear</p> <p>Operation</p> <p>Ø60 tube max. double rolling length</p> <p>Ø32 tube max. rolling length</p> <p>Input torque</p> <p>Output torque</p> <p>Weight</p>	<p>1/8th</p> <p>Manual</p> <p>50m</p> <p>75m</p> <p>15Nm</p> <p>70Nm</p> <p>2.5kg</p>



880 rue Léo Baekeland
85290 Mortagne sur Sèvre- France
+33 (0)2 02 51 63 02
contact@anjouautomation.fr