

MEC0122



Manual 1/8th direct roll-up ventilation gear for 25x25x1.5 tube and 25x25x1.5 handle

Supplementary products

- Handle: MEC0207

Description

Non reversible transmission under load

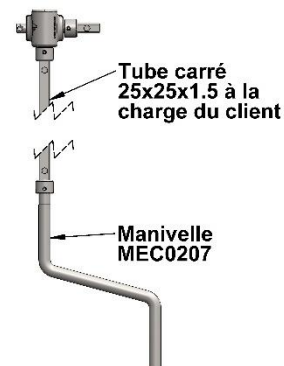
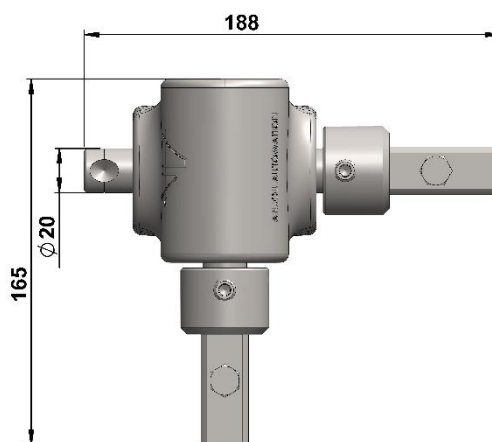
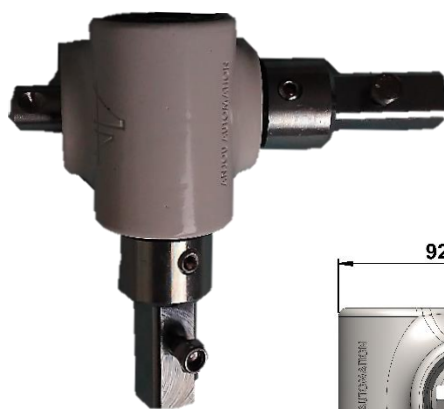
Sealed assembly on bearings in a white powder-coated aluminium casing with top-up greaser

Stainless steel drive shaft

Manual operation using a square 25x25x1.5mm tube (to be provided by the customer) and MEC0207 handle for square tip

Specifications

Gear	1/8 th
Operation	Manual
Ø60 tube max. double rolling length	50m
Ø32 tube max. rolling length	75m
Input torque	15Nm
Output torque	70Nm
Weight	2.5kg



880 rue Léo Baekeland
85290 Mortagne sur Sèvre- France
+33 (0)2 02 51 63 02
contact@anjouautomation.fr