

# MEC0121



## Manual 1/16<sup>th</sup> direct roll-up ventilation gear

### Supplementary products

- Handle: MEC0203
- Screwer kit: MEC0132

### Description

Non reversible transmission under load

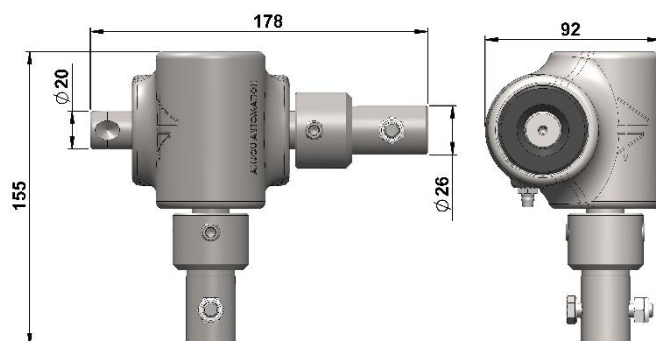
Sealed assembly on bearings in a white powder-coated aluminium casing with top-up greaser

Stainless steel drive shaft

Manual operation with interior diameter 26mm tube (to be provided by the customer) and MEC0203 handle

### Specifications

Gear	1/16th
Operation	Manual
Ø60 tube max. double rolling length	50m
Ø32 tube max. rolling length	75m
Input torque	15Nm
Output torque	70Nm
Weight	2.5kg



880 rue Léo Baekeland  
85290 Mortagne sur Sèvre- France  
+33 (0)2 02 51 63 02  
contact@anjouautomation.fr

 **Anjou  
Automation**  
L'innovation est notre culture