

MEC0120



Manual 1/8th direct roll-up ventilation gear

Supplementary products

- Handle: MEC0203

Description

Non reversible transmission under load

Sealed assembly on bearings in a white powder-coated aluminium casing with top-up greaser

Stainless steel drive shaft

Manual operation with interior diameter 26mm tube (to be provided by the customer) and MEC0203 handle

Specifications

Gear 1/8th

Operation Manual

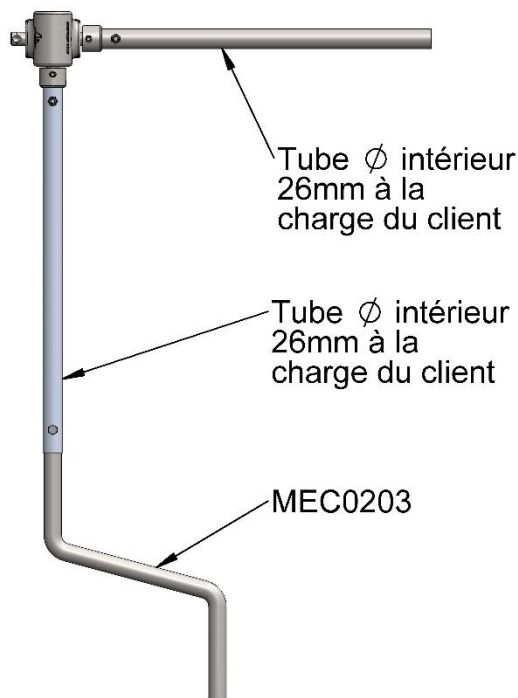
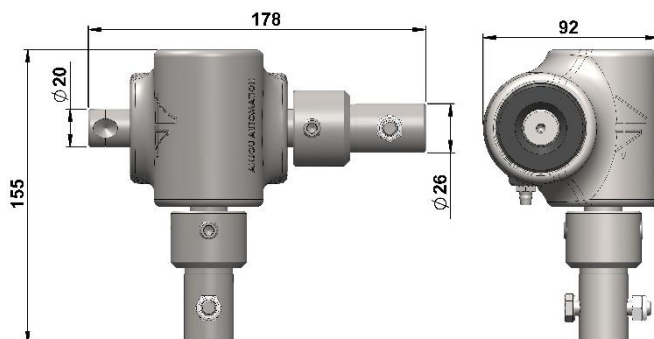
Ø60 tube max. double rolling length 50m

Ø32 tube max. rolling length 75m

Input torque 15Nm

Output torque 70Nm

Weight 2.5kg



880 rue Léo Baekeland
85290 Mortagne sur Sèvre- France
+33 (0)2 02 51 63 02
contact@anjouautomation.fr

 **Anjou
Automation**
L'innovation est notre culture