

# MEC0105



## H17 screwer manual gear

### Supplementary products

- Telescopic arm: MEC000X
- Telescopic arm: MEC005X

### Description

- Non reversible transmission under load
- Sealed motor on bearings in white powder coated aluminium casing
- Stainless steel drive shaft

### Specifications

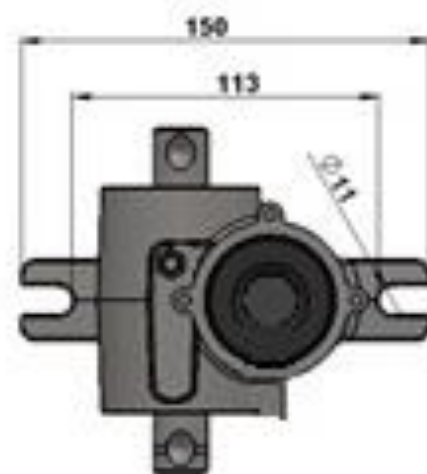
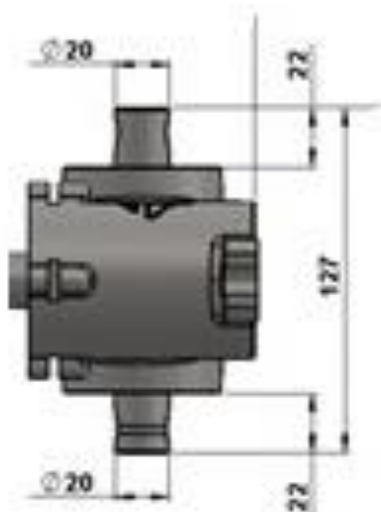
Gear	1/23rd
Operation	H27 screwer
Ø60 tube max. double rolling length	65m
Ø32 tube max. double rolling length	90m
Input torque	15nm
Output torque	85nm
Weight	2.1kg



MECA0105  
1/23<sup>rd</sup>

H17

Kit ditto MEC0160



880 rue Léo Baekeland  
85290 Mortagne sur Sèvre- France  
+33 (0)2 02 51 63 02  
contact@anjouautomation.fr