

MEC0104



Double output manual gear

Supplementary products

- Handle: MEC0203
- Crankshaft: MEC0201

Description

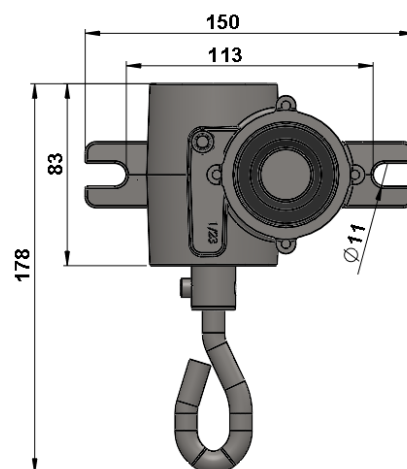
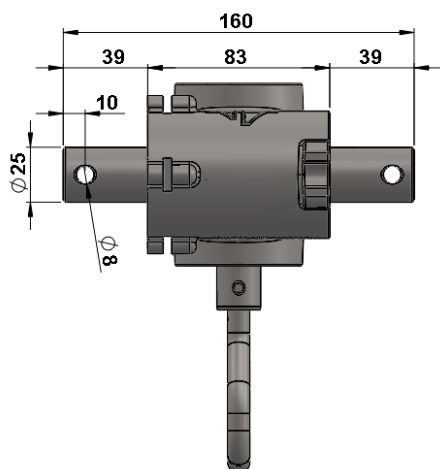
Non reversible transmission under load

Sealed motor on bearings in white powder coated aluminium casing

Stainless steel drive shaft

Specifications

Gear	1/23 rd
Operation	Handle
Input torque	15Nm
Output torque	130Nm
Shaft output Ø	25mm
Weight	2.1kg



880 rue Léo Baekeland
85290 Mortagne sur Sèvre- France
+33 (0)2 02 51 63 02
contact@anjouautomation.fr