

# MEC0103



## Single output manual gear

### Supplementary products

- Handle: MEC0203
- Crankshaft: MEC0201

### Description

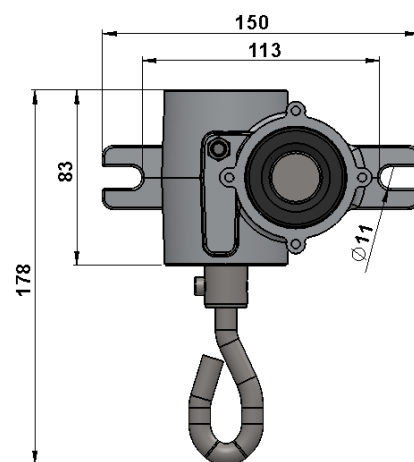
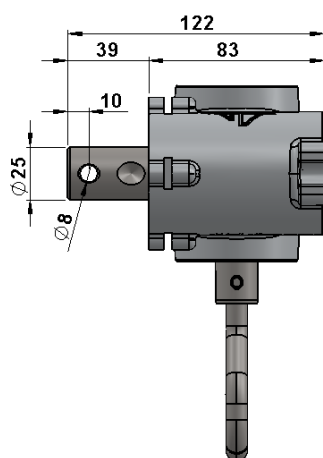
Non reversible transmission under load

Sealed motor on bearings in white powder coated aluminium casing

Stainless steel drive shaft

### Specifications

Gear	1/23 <sup>rd</sup>
Operation	Manual
Input torque	15Nm
Output torque	130Nm
Shaft output Ø	25mm
Weight	2.0kg



880 rue Léo Baekeland  
85290 Mortagne sur Sèvre- France  
+33 (0)2 02 51 63 02  
contact@anjouautomation.fr