

MEC0101



Manual 1/16th roll-up ventilation gear

Supplementary products

- Telescopic arm: MEC000X
- Telescopic arm: MEC005X

Description

Non reversible transmission under load

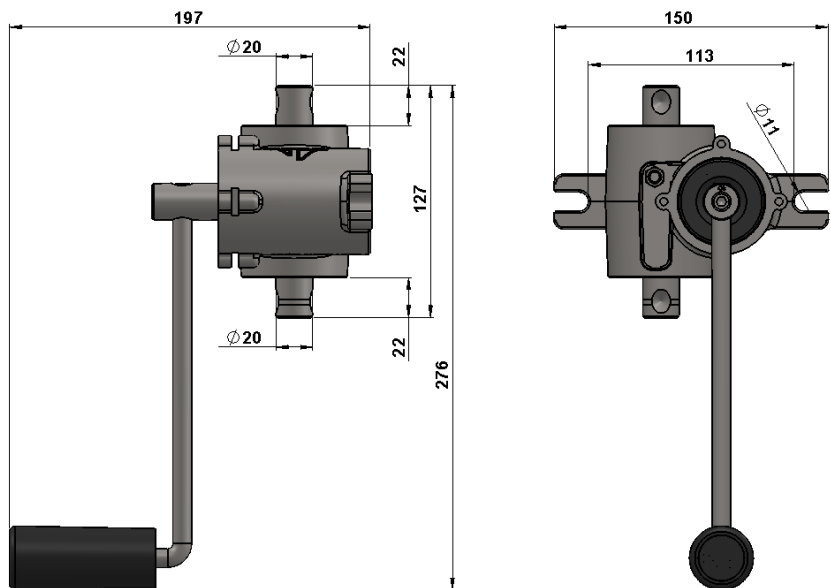
Sealed assembly on bearings in a white powder-coated aluminium casing with top-up greaser

Stainless steel drive shaft

Manual operation using a handle

Specifications

Gear	1/16 th
Operation	Manual
Ø60 tube max. double rolling length	65m
Ø32 tube max. rolling length	90m
Input torque	15Nm
Output torque	85Nm
Weight	2.5kg



880 rue Léo Baekeland
85290 Mortagne sur Sèvre- France
+33 (0)2 02 51 63 02
contact@anjouautomation.fr